

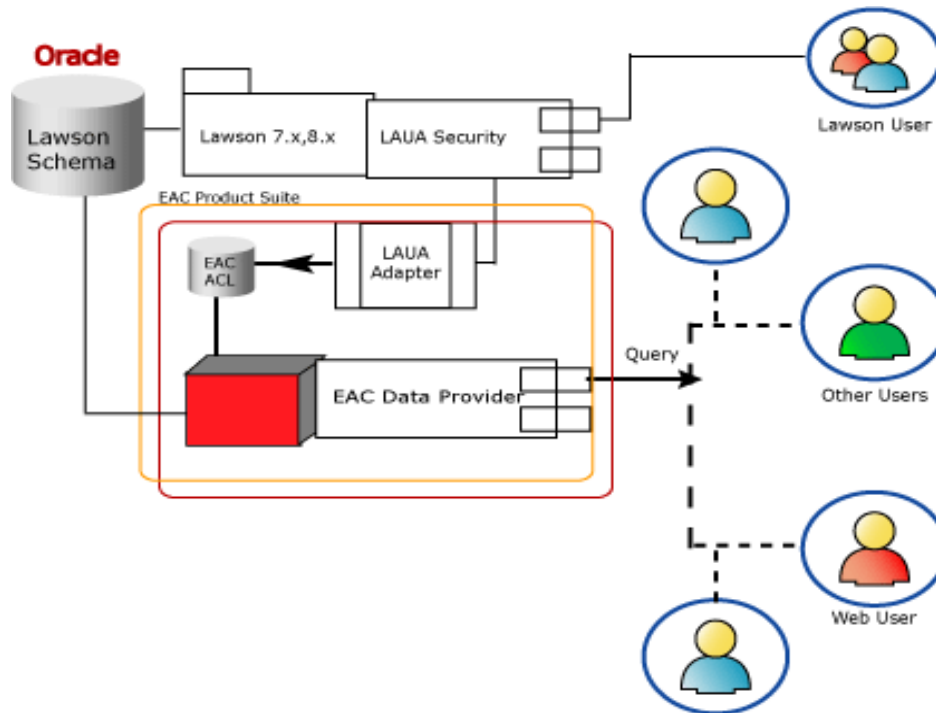


Extending Lawson's LAUA Security to Third Party Applications



Teamsoft Technologies
4677 Old Ironsides Drive, Suite # 410
Santa Clara, CA 95054
Phone: (408) 970-4720
Fax: (408) 970-4719

Lawson ERP Solution is delivered using ARC MIS PDP product that extends ERP security into ARC access control, in Lawson's case LAUA security, to all third party applications using the Lawson ERP Security Metadata adapter.

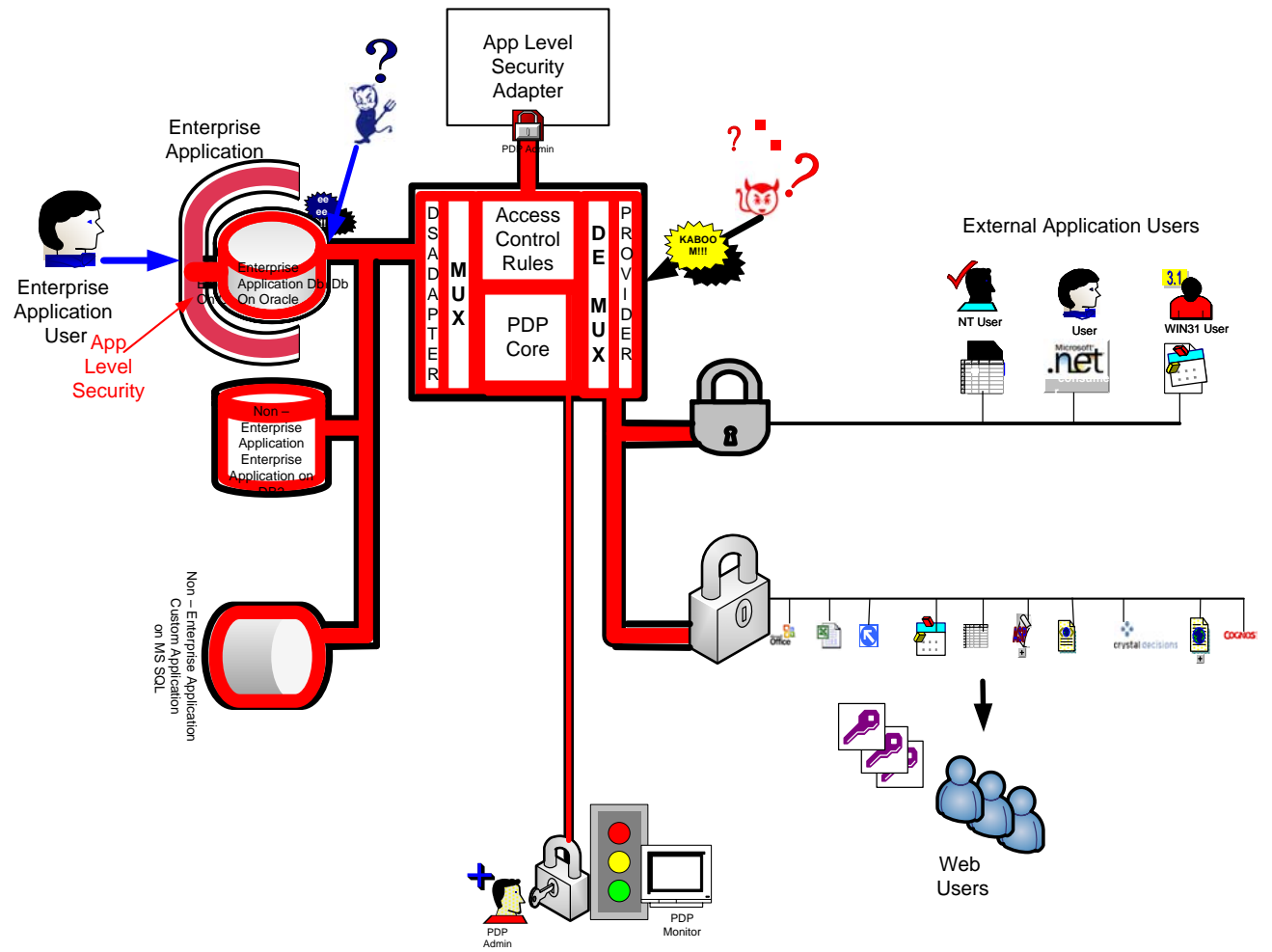


ARC MIS PDP is the only high performance database firewall that gives every Lawson Software user fast and easy access to all the data they need, inside or outside the ERP application, while ensuring that they cannot access unauthorized data - all without having to re-key information or develop custom programs.

The built in reporting features in most software applications do not provide the flexibility many users need today. Sure, you could develop hundred of custom reports, but that is expensive and inefficient. Furthermore, granting data access with third party reporting tools like Business Objects Crystal Reports and Microsoft Excel often violate corporate security policy due to inadequate access control mechanisms in those applications.

ARC MIS PDP and Lawson ERP secure data sharing solution addresses all of the concerns regarding business user's access to information and security officers' concern about putting data into the wrong hands. Here's how:

- Permits the user rights configured in Lawson Software application to be transferred into ARC MIS PDP using its unique ERP Security Metadata Adapter
 - No additional security setup needed, saving hours of manual entry and eliminating errors in reconfiguring access control rules
 - Keeps security management within the Lawson application and databases so the Lawson application manager has a complete picture of who gets what Lawson data
- Individuals running the same report template can receive different levels of data based on their role even outside the Lawson application (e.g. access/no access to salary and compensation information to assistant and department managers)
 - A single report design can now be easily developed and distributed across multiple security definitions for each individual user
 - Users previously denied access to reporting tools now have access to data on a timely, as-needed basis
 - Even users not defined in Lawson application can now securely share Lawson data in their own dashboards, report writers etc.
- Assists in Sarbanes Oxley (SOX) and HIPPA compliance efforts
 - Provides enforcement of your company's data security policy in a business user readable intuitive way (e.g. Rule manager data: allow table SCOTT.EMP ;.)
 - Logs denial and access events, providing an audit trail for evidence of adherence your company's policy
 - Assures security officers that all changes in application security are applied to the database and reporting tools
 - Demonstrates to auditors that the application and database meet corporate and regulatory security requirements
- ARC Scheduler tool add in allows users to save and spool multiple reports to be run on a predetermined scheduled basis
 - Reports can run without human intervention at non-peak times.
 - Ensures reports are generated and distributed on time, every time.



PDP Conceptual view

PDP Deployment view

